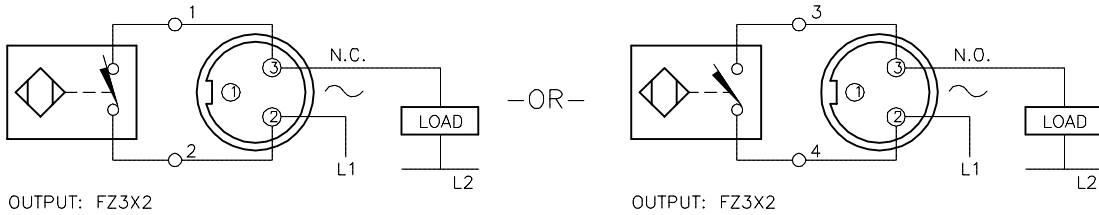
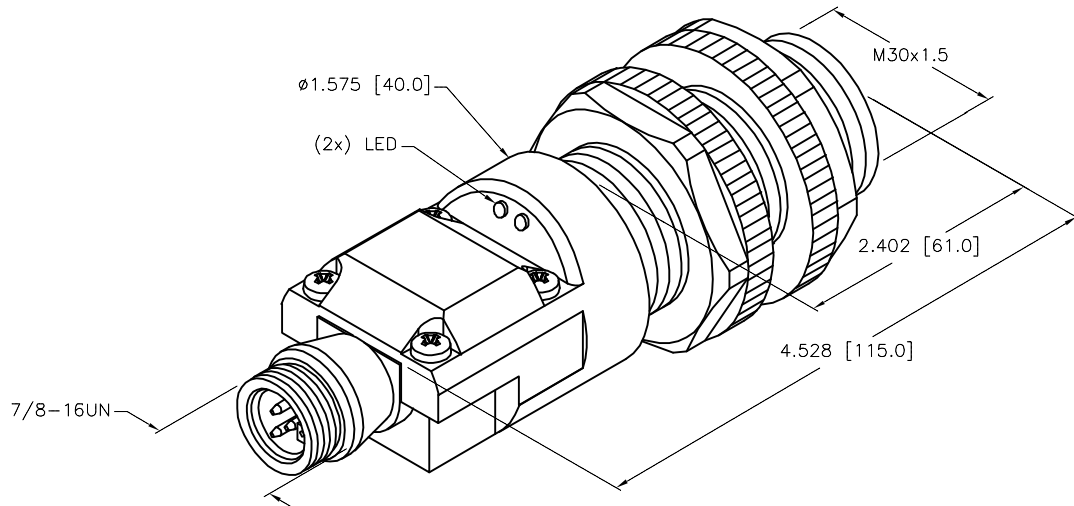
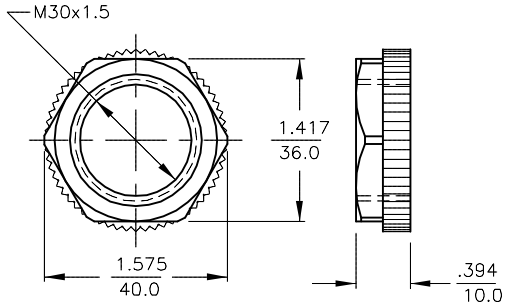


WIRING DIAGRAMS



WARNING: NO SHORT-CIRCUIT PROTECTION.
ALWAYS WIRE A LOAD IN SERIES WITH THE SENSOR.

LOCKNUT LN-P30



SPECIFICATIONS

RATED OPERATING DISTANCE	10 mm = .394"
MOUNTING MODE	FLUSH
TEMPERATURE DRIFT	≤±20%
HYSTERESIS	2-20%
MIN. REPEAT ACCURACY	≤ 2%
OPERATING TEMPERATURE	-25°C to +70°C (-13°F to +158°F)
RATED OPERATIONAL VOLTAGE	20-250 VAC
AC RATED OPERATIONAL CURRENT	≤ 500 mA
FREQUENCY	50-60 kHz
SMALLEST OPERATING CURRENT	≥ 5.0 mA
RESIDUAL CURRENT	≤ 1.7 mA
MAX. SWITCHING FREQUENCY	≤ 0.02 kHz
RATED INSULATION VOLTAGE	≤ 1.5 kV
OUTPUT FUNCTION	2-WIRE, CONNECTION PROGRAMMABLE
MAX. VOLTAGE DROP	≤ 7.0 V
HOUSING MATERIAL	PLASTIC, ABS
ACTIVE FACE MATERIAL	PLASTIC, ABS
CONNECTION	7/8-16UN (MINIFAST)
VIBRATION RESISTANCE	55 Hz (IN ALL 3 PLANES)
SHOCK RESISTANCE	30 g, 11 ms
DEGREE OF PROTECTION	IP 67
OPERATING VOLTAGE DISPLAY	LED: GREEN
SWITCHING STATUS INDICATION	LED: YELLOW

SOURCE DRAWING - FOR REFERENCE ONLY

RELATED DOCUMENTS 1. 2. 3. 4.	3RD ANGLE PROJECTION 	THIS DRAWING IS CONFIDENTIAL AND THE PROPERTY OF TURCK INC. USE OF THIS DOCUMENT WITHOUT WRITTEN PERMISSION IS PROHIBITED.		3000 CAMPUS DRIVE MINNEAPOLIS, MN 55441 1-800-544-7769 (763) 553-7300 (763) 553-0708 fax www.turck.us	
	MATERIAL SEE NOTES	ALL DIMENSIONS DISPLAYED ON THIS DRAWING ARE FOR REFERENCE ONLY	DRFT RDS DATE 10/01/08	DESCRIPTION B110-P30SR-FZ3X2-B1131	
			DSGN SCALE 1=1.3		
	FINISH SEE NOTES	CONTACT TURCK FOR MORE INFORMATION	UNIT OF MEASUREMENT INCH [MILLIMETER]		IDENTIFICATION NO. M1575294
DO NOT SCALE THIS DRAWING		FILE: M1575294		SHEET 1 OF 1	

B	REMOVE POTENTIOMETER	RDS	09/14/10	32537
REV	DESCRIPTION	BY	DATE	ECO NO.